

# Slide-In Ranges

CFES3025L S/W/B

30" Electric



## Product Dimensions

|                     |                   |
|---------------------|-------------------|
| Height (Adjustable) | 35-5/8" - 36-5/8" |
| Width               | 30"               |
| Depth               | 28-5/16"          |

## More Easy-To-Use Features

### Even Baking Technology

Our latest technology ensures even baking every time.

### Store-More™ Storage Drawer

Our convenient drawer gives you extra storage space in your kitchen.

### Quick Clean

For a quick, light oven cleaning.

### Extra-Large Window

Our extra-large oven window lets you easily see what's inside.

### Delay Start Baking Option

### Delay Clean

Set the oven to begin cleaning on your schedule.

### Hi/Lo Broil Option

Offers two-position broiling and variable temperature control for more control.

### Attractive Stainless Steel Exterior<sup>1</sup>

Sabbath Mode (Star-K® Certified)

Available in:



| Elements    | Size | Watts |
|-------------|------|-------|
| Right Front | 12"  | 2,700 |
| Right Rear  | 6"   | 1,200 |
| Left Front  | 9"   | 2,500 |
| Left Rear   | 7"   | 1,500 |

<sup>1</sup>Select model only.

## Signature Features

### Ready-Select™ Controls

Easily select options or control cooking temperature with our easy-to-use controls.

### Large Capacity

Our large capacity oven gives you room to cook more at once.

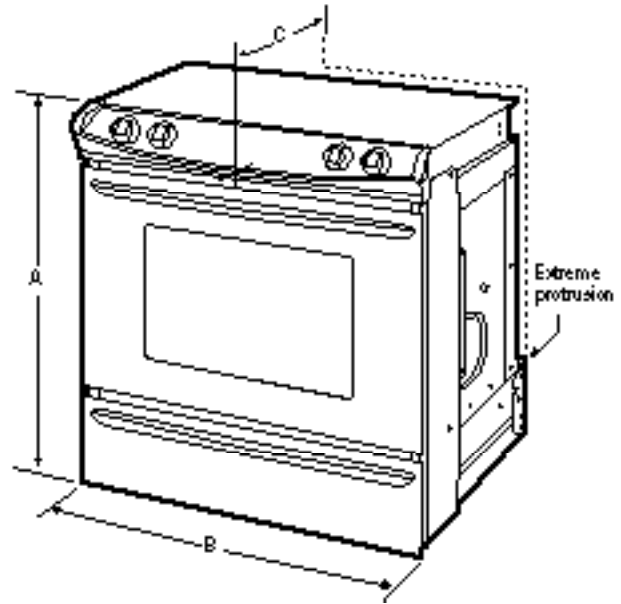
### One-Touch Self Clean

Start the self-cleaning cycle with just the touch of a button.

### Extra-Large Element

Our extra-large 12" element gives you space for larger pots and pans.

|  |  |
|--|--|
| <b>Features</b>                            |  |
| Oven Control/Timing System                 | Ready-Select™ Controls   |
| Surface Type                               | Black Ceramic Glass (S),<br>Colour-Coordinated Ceramic Glass (W/B) |
| Window                                     | Extra-Large  |
| Exterior Door Finish                       | Stainless Steel (S),<br>Colour-Coordinated (W/B)                   |
| Handle Design                              | Stainless Steel (S),<br>Colour-Coordinated (W/B)                   |
| Exterior Finish                            | Black (S),<br>Colour-Coordinated (W/B)                             |
| Convection System                          |  |
| Cleaning System                            | Self Clean   |
| Drawer Functionality                       | Storage  |
| <b>Oven Controls</b>                       |  |
| Bake                                       | Yes  |
| Broil                                      | Low and High   |
| Add-a-Minute                               |  |
| Delay Bake                                 | Yes  |
| Self-Clean                                 | 2, 3 Hours (Scroll Thru)   |
| Quick Clean Option                         | Yes  |
| Delay Clean                                | Yes  |
| Kitchen Timer                              | Yes  |
| Timed Cook Option                          | Yes  |
| Auto Oven Shutoff                          | 12 Hours   |
| <b>Cooktop Features</b>                    |  |
| Right Front Element (Watts)                | 12" - 2,700  |
| Right Rear Element (Watts)                 | 6" - 1,200   |
| Left Front Element (Watts)                 | 9" - 2,500   |
| Left Rear Element (Watts)                  | 7" - 1,500   |
| Center Element (Watts)                     |  |
| Drip Bowls                                 |  |
| Hot Surface Indicator Light                | Yes  |
| <b>Oven Features</b>                       |  |
| Capacity (Cu. Ft.)                         | 4.2  |
| Oven Light                                 | Yes  |
| Hidden Bake Element                        |  |
| Rack Configuration                         | 2 Handle Racks   |
| Even Baking System                         | Yes  |
| Broiling System                            | Vari-Broil™ Hi/Lo  |
| Bake Element/Broil Element (Watts)         | 2,750/3,400  |
| <b>Certifications</b>                      |  |
| Sabbath Mode (Star-K® Certified)           | Yes  |
| <b>Specifications</b>                      |  |
| Oven Interior (H x W x D)                  | 16-1/2" x 24-1/8" x 18-1/32"                                       |
| Power Supply Connection Location           | Left Bottom Rear   |
| Voltage Rating                             | 240V / 208V / 60 Hz  |
| Connected Load (kW Rating) @ 240/208 Volts | 10.5/7.9   |
| Amps @ 240/208 Volts                       | 43.7/38.0  |
| Minimum Circuit Required (Amps)            | 40   |
| Shipping Weight (Approx.)                  | 165 Lbs.   |



NOTE: Always consult local and national electric codes. Refer to Product Installation Guide for detailed installation instructions on the web at [frigidaire.ca](http://frigidaire.ca).



| Product Dimensions       |                   |
|--------------------------|-------------------|
| A - Height (Adjustable)  | 35-5/8" - 36-5/8" |
| B - Width                | 30"               |
| C - Depth                | 28-5/16"          |
| Depth with Door Open 90° | 45-1/2"           |

| Cutout Dimensions |                               |
|-------------------|-------------------------------|
| Height            | 35-7/8" min.<br>36-5/8" max.  |
| Width             | 30-1/16" max.*                |
| Depth             | 21-3/4" min<br>22-1/8" max.** |

\*Cutout and countertop cutout width should match.  
\*\*24" with optional backguard installed.

Installation accessories available on the web at [frigidaire.ca](http://frigidaire.ca)